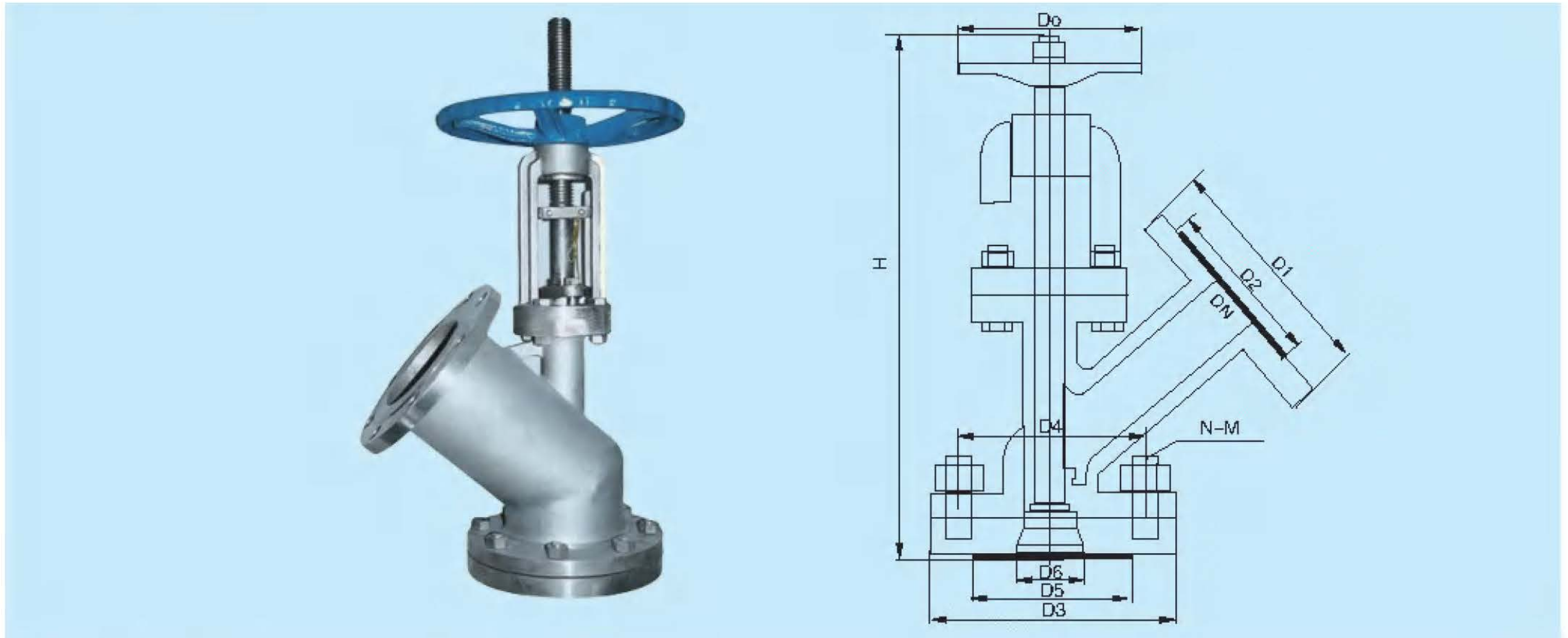


下层式放料阀



设计制造标准 Design and manufacturing standards

| | |
|--|--|
| 结构长度标准: GB/T12221-2005 Structure length standard | 工作压力 1.6MPa Working pressure 1.6 MPa |
| 连接法兰标准: GB/T9113 Connecting flange standards | 工作温度为 $\leq 175^{\circ}\text{C}$. 不锈钢 $\leq 320^{\circ}\text{C}$ 碳钢 Working temperature for $\leq 175^{\circ}\text{C}$. Stainless steel $\leq 320^{\circ}\text{C}$ carbon steel |
| 压力温度等级: GB/T12224-2005 Pressure temperature level | 工作介质为水, 油液体, 酸碱等 Working medium for water, oil, acid and alkali liquid etc |
| 试验检验标准: GB/T13927-2008 Test inspection standards | |

零部件名称及参数 Parts name and parameters

| 零件名称 Parts name | ZG1Cr18Ni9Ti | ZG00Cr18Ni10 | ZG1Cr18Ni12Mo Ti | ZG00Cr17Ni14Mo 2 | WCB |
|------------------------|--------------|--------------|------------------|------------------|-----------------|
| 阀体 / 阀盖 Body/bonnet | ZG1Cr18Ni9Ti | ZG00Cr18Ni10 | ZG1Cr18Ni12Mo Ti | ZG00Cr17Ni14Mo 2 | WCB |
| 阀杆 stem | ZG1Cr18Ni9Ti | ZG00Cr18Ni10 | ZG1Cr18Ni12Mo Ti | ZG00Cr17Ni14Mo 2 | WCB |
| 阀瓣 disc | ZG1Cr18Ni9Ti | ZG00Cr18Ni10 | ZG1Cr18Ni12Mo Ti | ZG00Cr17Ni14Mo 2 | WCB |
| 垫片 gaskets | 304+PTFE | 304L+PTFE | 316+PTFE | 316L+PTFE | 石墨 graphite+304 |
| 螺柱 luozhu | 1Cr17Ni2 | 1Cr17Ni2 | 1Cr17Ni2 | 1Cr17Ni2 | 35CrMoA |
| 螺母 nut | 1Cr18Ni9Ti | 1Cr18Ni9Ti | 1Cr18Ni9Ti | 1Cr18Ni9Ti | 45 |

主要外形尺寸 (mm) Main External and Connection Dimension

| 型号 Type | DN | 上法兰 The flanges | | | 下法兰 Next flange | 密封座 Seal seat | | | |
|-------------------|-----|-----------------|-----|-----|--------------------|---------------|-----|-----|-----|
| | | D1 | D2 | D3 | D4 | D5 | D6 | H | Do |
| HG5-89-2 16P/R | 25 | 115 | 80 | 135 | 100 | 70 | 40 | 225 | 160 |
| | 32 | 135 | 100 | 145 | 110 | 75 | 55 | 300 | 160 |
| | 40 | 145 | 110 | 160 | 125 | 100 | 65 | 340 | 180 |
| | 50 | 165 | 125 | 180 | 145 | 85 | 70 | 345 | 180 |
| | 65 | 180 | 145 | 195 | 160 | 135 | 90 | 425 | 220 |
| | 80 | 195 | 160 | 215 | 180 | 155 | 130 | 445 | 250 |
| | 100 | 215 | 180 | 245 | 210 | 195 | 135 | 535 | 280 |
| | 125 | 245 | 210 | 280 | 245 | 180 | 145 | 585 | 300 |
| | 150 | 280 | 240 | 335 | 295 | 210 | 185 | 665 | 360 |
| | 200 | 335 | 295 | 405 | 355 | / | / | 800 | 500 |