

上装式偏心半球阀

产品概述 Product overview

上装偏心半球阀利用偏心原理，即阀体流道中心和曲轴不同心原理。阀门在关闭过程中，球冠渐进于阀座，在接近的瞬间实现可靠密封，避免阀门启闭过程中密封副始终处于摩擦状态，球阀为半球形，在阀门开启状态球冠隐藏于阀腔内，免遭介质直接冲刷密封面；同时保证阀门全流道流通，最大限度的减少能量损耗，水头损失几乎为零，采用特殊工艺方法，在精加工精研磨的不锈钢球移到氟橡胶密封圈，具有软、硬两种密封，即使在软密封磨损或损坏的情况下也能实现可靠的密封，偏心半球阀此结构的阀座上，上下阀杆均设有推力轴承、复合轴套，减小传动扭矩，在电动执行机构的选择上优势凸显。

Jacket half of an eccentric valve using the eccentric principle, namely, the body flow different heart center and crankshaft principle. Valves in the process of closing, the ball crown gradually to the seat, at the moment close to achieve reliable sealed, avoid in the process of the valve opening and closing seal remain the state of friction pair, the valve ball is hemispherical, hidden in open the ball valve in the valve cavity, from media directly flush seal face; Guarantee full port flow valve at the same time, minimize energy losses, the head loss is almost zero, the use of special process method, in finish machining precision grinding stainless steel ball to fluorine rubber seal, it has two kinds of soft and hard seal, even in the case of soft seal wear or damage can also provide reliable seal, eccentric ball valve seat of this structure, upper and lower valve stem has thrust bearing, composite bushing, reduce the transmission torque, on the choice of electric actuators advantages highlighted.

产品采用标准 Product Specification

设计标准 Design standard	结构长度 Structural length	连接法兰 Flanged ends	试验和检验 Inspection and test
GB/T 12237-2007 API608 API6D-2005	GB/T12221-2007 XH923-2004 ASME/ANSI B16.10	GB/T9113-2007 ASME/ANSI B16.5	GB/T13927-2005 API598

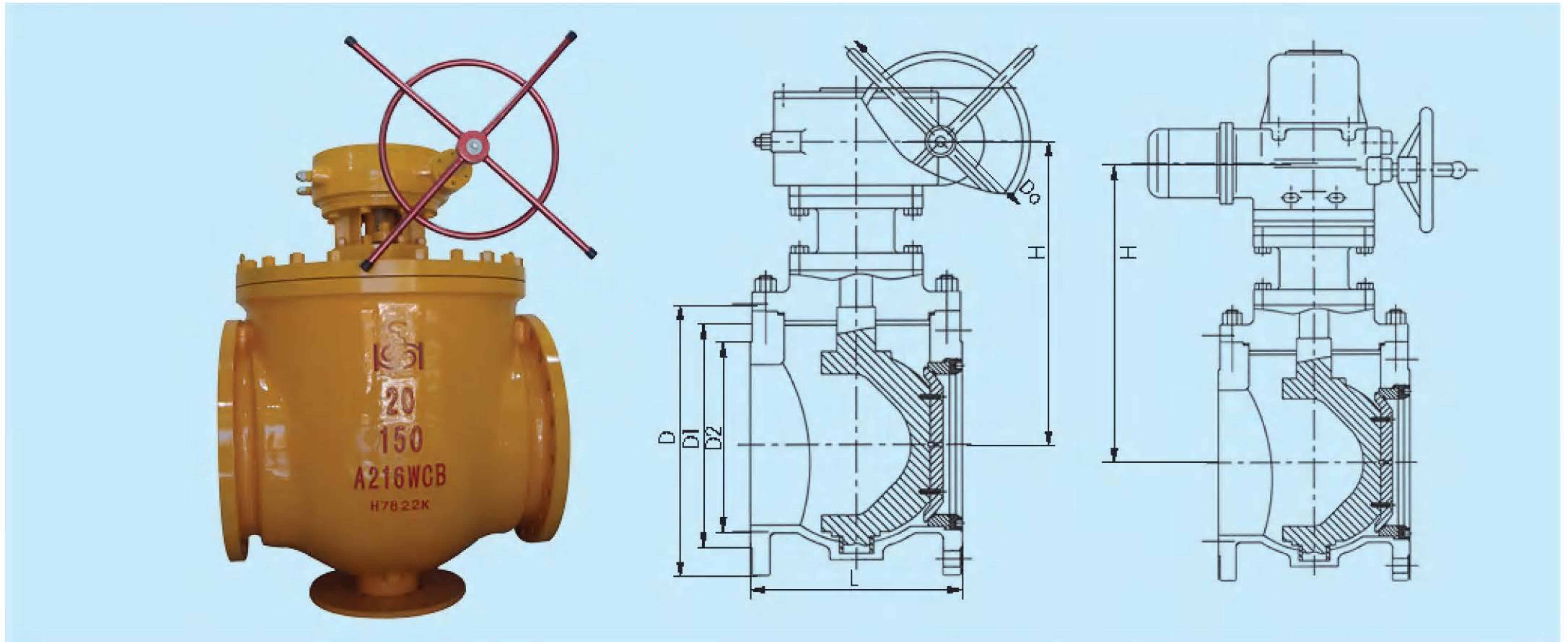
主要性能规范 Main performance specification

公称压力 Nominal pressure	PN					Class					
常温最大工作压力 (MPa) maximum working pressure	1.0	1.6	2.5	4.0	6.4	150Lb	300 Lb	600 Lb	900 Lb	889	991
壳体试验压力 (MPa) Shell test pressure	1.5	2.4	3.8	6.0	9.6	3.0	7.5	15.0	22.5	-	-
气密封试验压力 (MPa) Gas seal test pressure	0.6	0.6	0.6	0.6	0.6	0.6	0.6	0.6	0.6	670	720
高压密封试验压力 (MPa) High pressure seal test pressure	1.1	1.76	2.75	4.4	7.1	2.2	5.5	11.0	16.5	770	840
渗透率 permeability	< 0.1 x DNmm ³ /s (符合 GB/T13927-2005 标准) (accordance with GB/T13927-2005 standard)										
适用温度 (°C) Suitable temperature	软密封 Soft seal: -40°C ~350°C; 硬密封 Hard seal: -50°C ~600°C										
适用介质 Applicable medium	天然气、水蒸汽、油品类、酸类、碱类、煤粉、煤灰、废渣、泥浆、含颗粒状、含纤维等各类介质 Natural gas, steam, oil, acid, alkali, pulverized coal, fly ash, slag, mud, containing granular, fiber and other kinds of media										
传动形式 transmission form	蜗轮传动、电动传动、气动传动、液动传动 Worm gear drive, electric drive, pneumatic drive, hydraulic drive										

主要零件材料 The major parts material

名称 name	材质 material			
阀体 body	WCB	ZG1Cr18Ni9Ti	ZG0Cr18Ni12Mo2Ti	ZG15Cr1Mo1V
后盖 Back cover	Q235A	1Cr18Ni9Ti	0Cr18Ni12Mo2Ti	25Cr2Mo1V
轴套 Shaft sleeve	SF-1	FB090	FB316	FB090
下阀杆 Lower Stem	2Cr13	1Cr18Ni9Ti	0Cr18Ni12Mo2Ti	1Cr18Ni9Ti
球体 sphere	WCB	ZG1Cr18Ni9Ti	ZG0Cr18Ni12Mo2Ti	ZG15Cr1Mo1V
压板 Pressure plate	Q235A	1Cr18Ni9Ti	0Cr18Ni12Mo2Ti	25Cr2Mo1V
阀座 seat	Q235A+PTFE	1Cr18Ni9Ti/PTFE	0Cr18Ni12Mo2Ti/PTFE	25Cr2Mo1V/PTFE
球冠 Spherical cap	1Cr18Ni9Ti 特殊处理 Special handling	1Cr18Ni9Ti 特殊处理 Special handling	ZG0Cr18Ni12Mo2Ti 特殊处理 Special handling	1Cr18Ni9Ti 特殊处理 Special handling
轴套 Shaft sleeve	SF-1	FB090	FB316	FB090
上阀杆 Upper Stem	2Cr13	1Cr18Ni9Ti	0Cr18Ni12Mo2Ti	1Cr18Ni9Ti
填料盘 Packing tray	WCB	ZG1Cr18Ni9Ti	ZG0Cr18Ni12Mo2Ti	ZG15Cr1Mo1V
阀盖 cover	WCB	ZG1Cr18Ni9Ti	ZG0Cr18Ni12Mo2Ti	ZG15Cr1Mo1V
螺栓 bolt	35	0Cr18Ni9	0Cr18Ni9	15Cr1Mo1V
螺母 nut	45	0Cr18Ni9	0Cr18Ni9	20CrMo
填料 packing	柔性石墨 Flexible graphite	柔性石墨 Flexible graphite	柔性石墨 Flexible graphite	柔性石墨 Flexible graphite
压盖 gland	WCB	ZG1Cr18Ni9Ti	ZG0Cr18Ni12Mo2Ti	ZG15Cr1Mo1V
支架 stents	WCB	WCB	WCB	WCB
电动头 Electric head	KTQ			

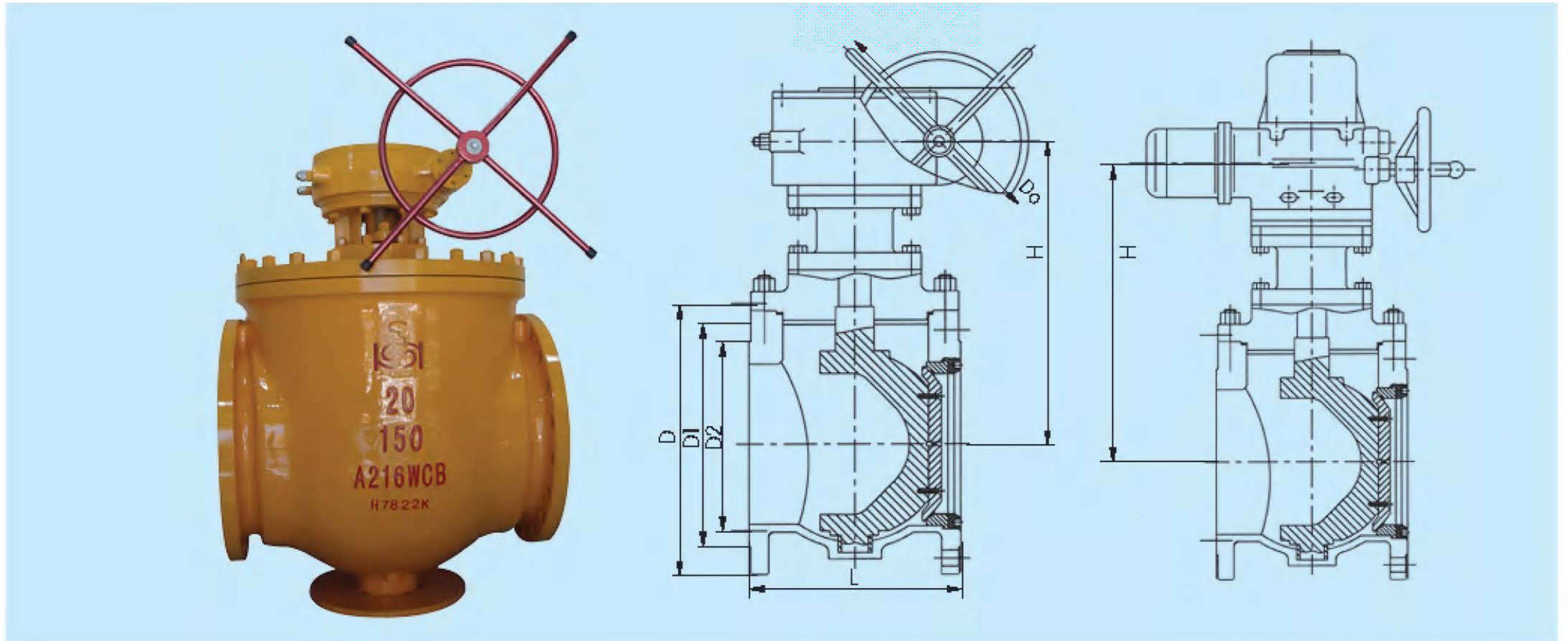
上装式偏心半球阀



主要外形尺寸 (mm) Main External and Connection Dimension

型号 type	DN	L	D	D1	D2	H		Do
						蜗轮 Worm gear	电动 electric	
Q340/940F -16C/P/R	50	180	160	125	100	295	330	450
	80	200	195	160	135	330	365	450
	100	229	215	180	155	330	380	450
	125	254	245	210	185	345	405	450
	150	267	280	240	210	370	440	500
	200	292	335	295	265	405	470	650
	250	330	405	355	320	480	540	650
	300	390	460	410	375	520	580	650
	350	430	520	470	435	570	630	650
	400	530	580	525	485	630	710	650
	450	580	640	585	545	690	770	700
	500	660	705	650	608	740	820	700
	600	840	840	770	718	840	940	700
	700	900	910	840	788	960	1040	700
	800	1000	1020	950	898	1080	1180	1400
	900	1100	1120	1050	998	1190	1280	1400
1000	1200	1255	1170	1110	1310	1420	1400	
Q340/940F -25P/R	50	180	160	125	100	295	330	450
	80	200	195	160	135	330	365	450
	100	229	230	190	160	330	380	450
	125	254	270	220	188	345	405	450
	150	267	300	250	218	370	440	500
	200	292	360	310	278	405	470	650
	250	330	425	370	332	480	540	650
	300	390	485	430	390	520	580	650
	350	430	550	490	448	570	630	650
	400	530	610	550	505	630	710	650
	450	580	660	600	555	690	770	700
	500	660	730	660	610	740	820	700
	600	840	840	770	718	840	940	700
	700	900	955	875	815	960	1040	700
	800	1000	1070	990	930	1080	1180	1400
	900	1100	1180	1090	1025	1190	1280	1400
1000	1200	1305	1210	1140	1310	1420	1400	

上装式偏心半球阀



主要外形尺寸 (mm) Main External and Connection Dimension

型号 type	DN	L	D	D1	D2	H		Do
						蜗轮 Worm gear	电动 electric	
Q340/940F -40P/R	50	180	160	125	100	295	330	450
	80	200	195	160	135	330	365	450
	100	229	230	190	160	330	380	450
	125	254	270	220	188	345	405	450
	150	267	300	250	218	370	440	500
	200	292	375	320	282	405	470	650
	250	330	445	385	345	480	540	650
	300	390	510	450	408	520	580	650
	350	430	570	510	465	570	630	650
	400	530	655	585	535	630	710	650
	500	660	755	670	612	690	770	700
	600	840	890	795	730	740	820	700
	700	900	995	900	835	840	940	700
Q340/940F -64P/R	50	180	175	135	105	295	330	450
	80	200	210	170	140	330	365	450
	100	229	250	200	168	330	380	450
	125	254	295	240	202	345	405	450
	150	267	304	280	240	370	440	500
	200	292	405	345	300	405	470	650
	250	330	470	400	352	480	540	650
	300	390	530	460	412	520	580	650
	350	430	595	525	475	570	630	650
	400	530	670	585	525	630	710	650
	500	660	800	705	640	690	770	700
	600	840	930	820	750	740	820	700
	700	900	1045	935	865	840	940	700