

# 美标止回阀

栓接阀盖，中法兰垫片的形式可根据压力等级的不同进行选择；CLASS600 的止回阀可采用压力自紧密封结构。  
Bolted bonnet, and the type of middle flange gasket may be different according to pressure class; CLASS600 check valve may adopt pressure self-tightening seal structure.

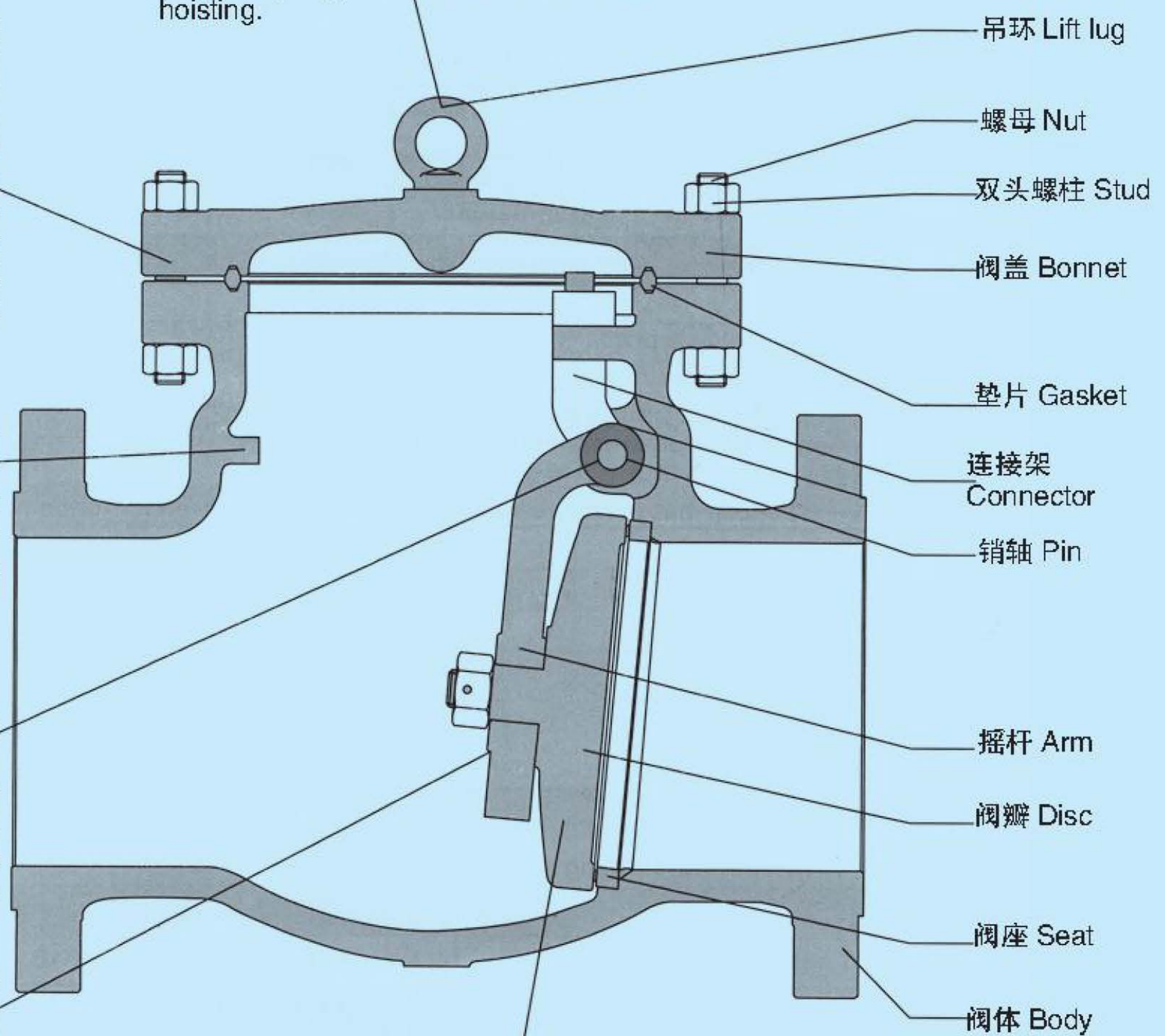
阀瓣限位装置，防止阀瓣打开位置过高无法关闭。  
Disc stop device to prevent disc from being opened too high, thus causing failure to be closed down.

实心销轴安装精确，强度高，保证了阀门的使用性能和使用寿命。  
Solid pin is precisely installed And provided with high intensity to ensure operational performance and service life of valve

摇杆具有足够的强度，关闭时有足够的自由度以利手阀瓣关闭。  
Rocker arm is given enough intensity. Upon being closed down, it has enough freedom for the closedown of valve disc.

大口径的止回阀设计有吊环；方便吊起。  
Large-caliber check valves are provided with lifting rings for the convenience of hoisting.

阀瓣具有足够的强度和刚度，阀瓣密封面可根据用户要求堆焊金属材料或镶嵌非金属材料。  
Valve disc is given enough intensity and rigidity. Disc sealing surface may be built-up welded with metal material or inlaid with nonmetal material responding to users' requests.





# 美标止回阀

## 铸钢旋启式止回阀的材料明细 Cast steel swing check valve material detail

序号 No.	零件名称 Part Name	碳钢系列 Carbon Steel	不锈钢系列 Stainless Steel	合金钢系列 Alloy Steel	低温钢系列 Low Temperature Steel
1	阀体 Body	ASTMA216 GR WCB	ASTM A351 GR CF8	ASTM A217 GR WC6	ASTM A352 GR LCB
2	阀座 Seat	ASTM A105	ASTM A105	ASTM A182 GR F304	ASTM A182 GR F304
3	阀瓣 Disk	ASTM A216 GR WCB	ASTM A351 GR CF8	ASTM A217 GR WC6	ASTM A352 GR LCB
4	摇杆 Arm	ASTM A216 GR WCB	ASTM A351 GR CF8	ASTM A217 GR WC6	ASTM A352 GR LCB
5	销轴 Pin	ASTM A182 GR F6a	ASTM A276 GR TYPE 304	ASTM A182 GR F304	ASTM A182 GR F304
6	连接架 Connector	ASTM A216 GR WCB	ASTM A351 GR CF8	ASTM A217 GR WC6	ASTM A352 GR LCB
7	垫片 Gasket	柔性石墨 +SS304	柔性石墨 +SS304	柔性石墨 +SS304	柔性石墨 +SS304
8	阀盖 Bonnet	ASTM A216 GR WCB	ASTM A351 GR CF8	ASTM A217 GR WC6	ASTM A352 GR LCB
9	双头螺柱 Stud	ASTM A193 GR B7	ASTM A194 GR CF8	ASTM A193 GR B7	ASTM A194 GR B8
10	螺母 Nut	ASTM A194 GR 2H	ASTM A193 GR 8	ASTM A194 GR 4	ASTM A193 GR 8

提示：1、壳体材料压力温度等级表见附录

Remark: Pressure and temperature rating of casing material referred to Appendix

2、壳体材料化学成分及力学性能见附录

Chemical compositions and mechanical property of casing material referred to Appendix

3、常见内件材料的组合及使用温度见附录

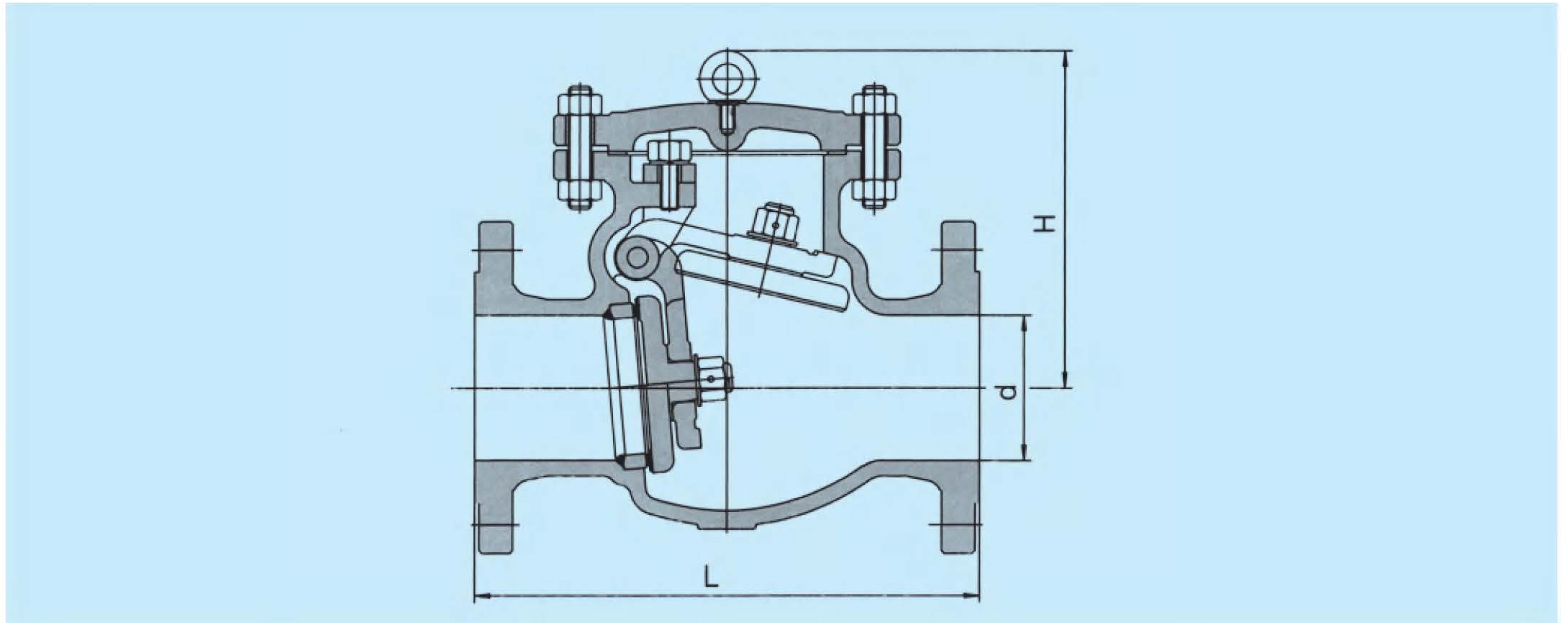
Commonly-used trim materials and service temperature referred to Appendix

## 技术规范规范 Technical Specification

设计标准 Design Standard	BS1868 API 6D						
压力温度等级 Pressure-Temperature Rating	ASME B16.34						
结构长度 Face-Face	ASME B16.10						
法兰型式尺寸 Flange Ends	ASME B16.5、ASME B16.47						
对焊端连接 Buttwelding Ends	ASME B16.25						
检验与试验 Inspection & Test	API 598						
公称压力 Norminal Pressure ( Class )	150	300	400	600	900	1500	
试验压力 ( MPa ) Test-pressure	壳体试验 Shell Test	2.93	7.55	10.0	15.0	22.5	37.5
	高压密封 High Pressure Seal Test	2.07	5.52	7.31	11.03	16.5	27.5
	低压密封 Low Pressure Seal Test	0.6					
适用温度 Applicable Temperature	-196℃ -550℃ ( 不同的工况温度选用不同材质 ) Different raw material for different work temperature						
适用介质 Applicable Medium	水、油、汽及各类腐蚀性介质 ( 不同的介质选用不同材质 ) Water、Oil、gas and other causticity medium ( Different raw material for different medium )						



# 美标止回阀



REMARK: EYE SCREW FOR NPS5" & LARGER

## 设计标准 Design Standard

1. Design and Manufacture Standard 设计制造标准: API 6D BS 1868;
2. Material Pressure-Temp Standard 压力 - 温度基准: ASME B16.34;
3. End to End Dimension Standard 结构长度标准: ASME B16.10;
4. Flange Ends Dimension Standard 法兰连接端尺寸: ASME B16.5 ( NPS ≤ 24" ) ASME B16.47 ( NPS > 24" );
5. Inspection and Test Standard 检验和试验标准: API 598 API 6D;

## 主要尺寸 Main dimension 单位 Unit(mm)

SIZE		CLASS 150					CLASS 300				
NPS		L			d	H	L			d	H
inch	mm	RF	RTJ	BW			RF	RTJ	BW		
2 "	50	203	216	203	51	132	267	283	267	51	144
2 1/2 "	65	216	229	216	64	147	292	308	292	64	169
3 "	80	241	254	241	76	176	318	333	318	76	210
4 "	100	292	305	292	102	198	356	371	356	102	260
5 "	125	330	343	356	127	255	400	416	400	127	295
6 "	150	356	368	406	152	320	445	460	445	152	326
8 "	200	495	508	495	203	380	533	549	533	203	380
10 "	250	622	635	622	254	440	622	638	622	254	440
12 "	300	699	711	699	305	480	711	727	711	305	520
14 "	350	787	800	787	337	530	838	854	838	337	540
16 "	400	864	876	864	387	580	864	879	864	387	588
18 "	450	978	991	978	438	618	978	994	978	438	670
20 "	500	978	991	978	489	657	1016	1035	1016	489	720
24 "	600	1295	1308	1295	591	760	1346	1368	1346	591	850
26 "	650	1295	-	1295	633	840	1346	1372	1346	633	920
28 "	700	1448	-	1448	684	920	1499	1524	1499	684	1150
30 "	750	1524	-	1524	735	980	1594	1619	1594	735	1260



## 美标止回阀

**主要尺寸 Main dimension 单位 Unit(mm)**

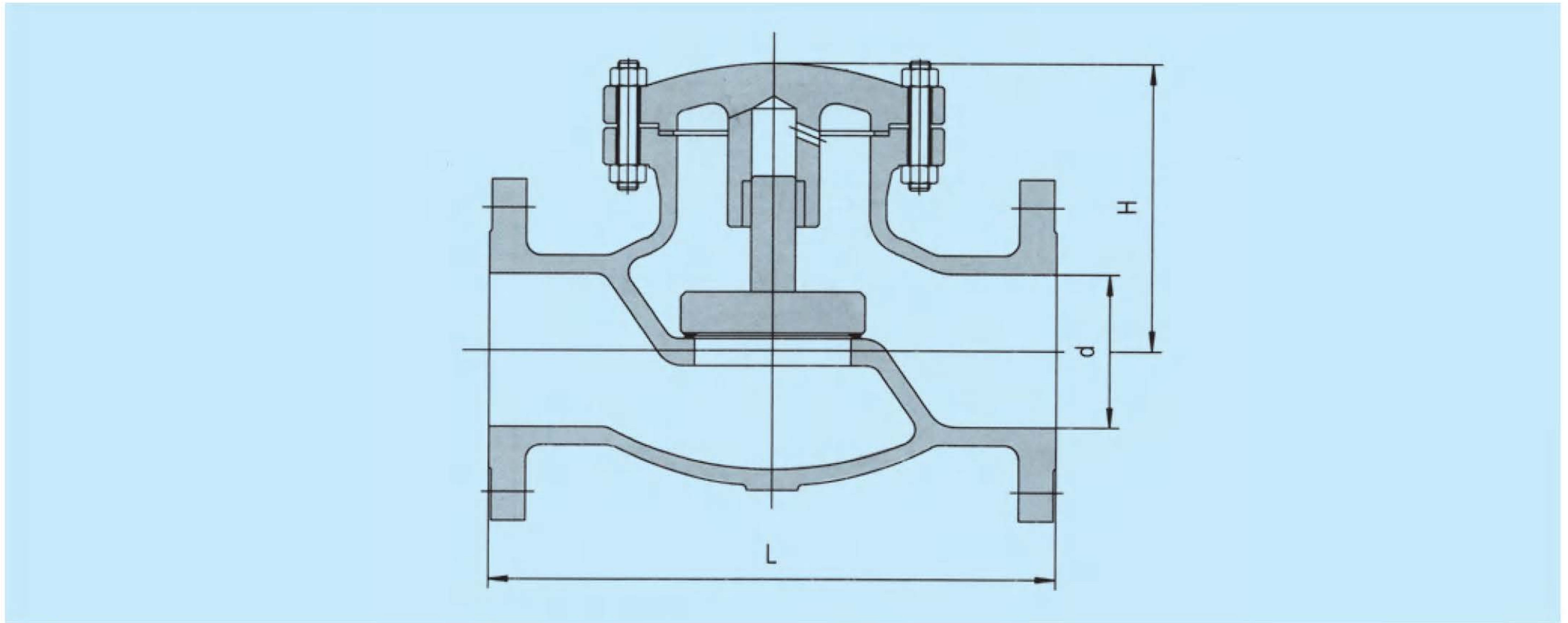
SIZE		CLASS 600					CLASS 900				
NPS		L			d	H	L			d	H
inch	mm	RF	RTJ	BW			RF	RTJ	BW		
2 "	50	292	295	292	51	170	368	371	368	51	200
2 1/2 "	65	330	333	330	64	178	419	422	419	64	220
3 "	80	356	359	356	76	246	381	384	381	76	280
4 "	100	432	435	432	102	290	457	460	457	102	320
5 "	125	508	511	508	127	320	559	562	559	127	360
6 "	150	559	562	559	152	360	610	613	610	152	400
8 "	200	660	664	660	203	430	737	740	737	203	480
10 "	250	787	791	787	254	502	838	841	838	254	560
12 "	300	838	841	838	305	554	965	968	965	305	632
14 "	350	889	892	889	337	595	1029	1038	1029	322	680
16 "	400	991	994	991	387	680	1130	1140	1130	373	780
18 "	450	1092	1095	1092	438	778	1219	1232	1219	423	880
20 "	500	1194	1200	1194	489	970	1321	1334	1321	471	1050
24 "	600	1397	1407	1397	591	1100	1549	1568	1549	522	1200

**主要尺寸 Main dimension 单位 Unit(mm)**

SIZE		CLASS 1500					CLASS 2500				
NPS		L			d	H	L			d	H
inch	mm	RF	RTJ	BW			RF	RTJ	BW		
2 "	50	368	371	368	51	210	451	454	451	42	230
2 1/2 "	65	419	422	419	64	240	508	514	508	52	260
3 "	80	470	473	470	76	303	578	584	578	62	330
4 "	100	546	549	546	102	340	673	683	673	87	370
5 "	125	673	676	673	127	380	794	807	794	96	410
6 "	150	705	711	705	144	430	914	927	914	131	460
8 "	200	832	841	832	192	500	1022	1038	1022	179	530
10 "	250	991	1000	991	239	590	1270	1292	1270	223	620
12 "	300	1130	1146	1130	287	660	1422	1445	1422	265	690
14 "	350	1257	1276	1257	315	710	-	-	-	-	-
16 "	400	1384	1407	1384	360	820	-	-	-	-	-



# 美标止回阀



主要尺寸 Main dimension 单位 Unit(mm)

SIZE		CLASS 150					CLASS 300				
NPS		L			d	H	L			d	H
inch	mm	RF	RTJ	BW			RF	RTJ	BW		
2 "	50	203	216	203	51	140	267	283	267	51	140
2 1/2 "	65	216	229	216	64	162	292	308	292	64	164
3 "	80	241	254	241	76	168	318	333	318	76	178
4 "	100	292	305	292	102	194	356	371	356	102	195
5 "	125	356	368	356	127	210	400	416	400	127	223
6 "	150	406	419	406	152	226	445	460	445	152	245
8 "	200	495	508	495	203	250	533	549	533	203	280
10 "	250	622	635	622	254	275	622	638	622	254	336
12 "	300	699	711	699	305	332	711	727	711	305	380

主要尺寸 Main dimension 单位 Unit(mm)

SIZE		CLASS 600					CLASS 900				
NPS		L			d	H	L			d	H
inch	mm	RF	RTJ	BW			RF	RTJ	BW		
2 "	50	292	295	292	51	152	368	371	368	50	180
2 1/2 "	65	330	333	330	64	167	419	422	419	64	200
3 "	80	356	359	356	76	178	381	384	381	74	235
4 "	100	432	435	432	102	215	457	460	457	100	270
5 "	125	508	511	508	125	240	559	562	559	125	300
6 "	150	559	562	559	152	279	610	613	610	150	350
8 "	200	660	664	660	200	328	737	740	737	200	400