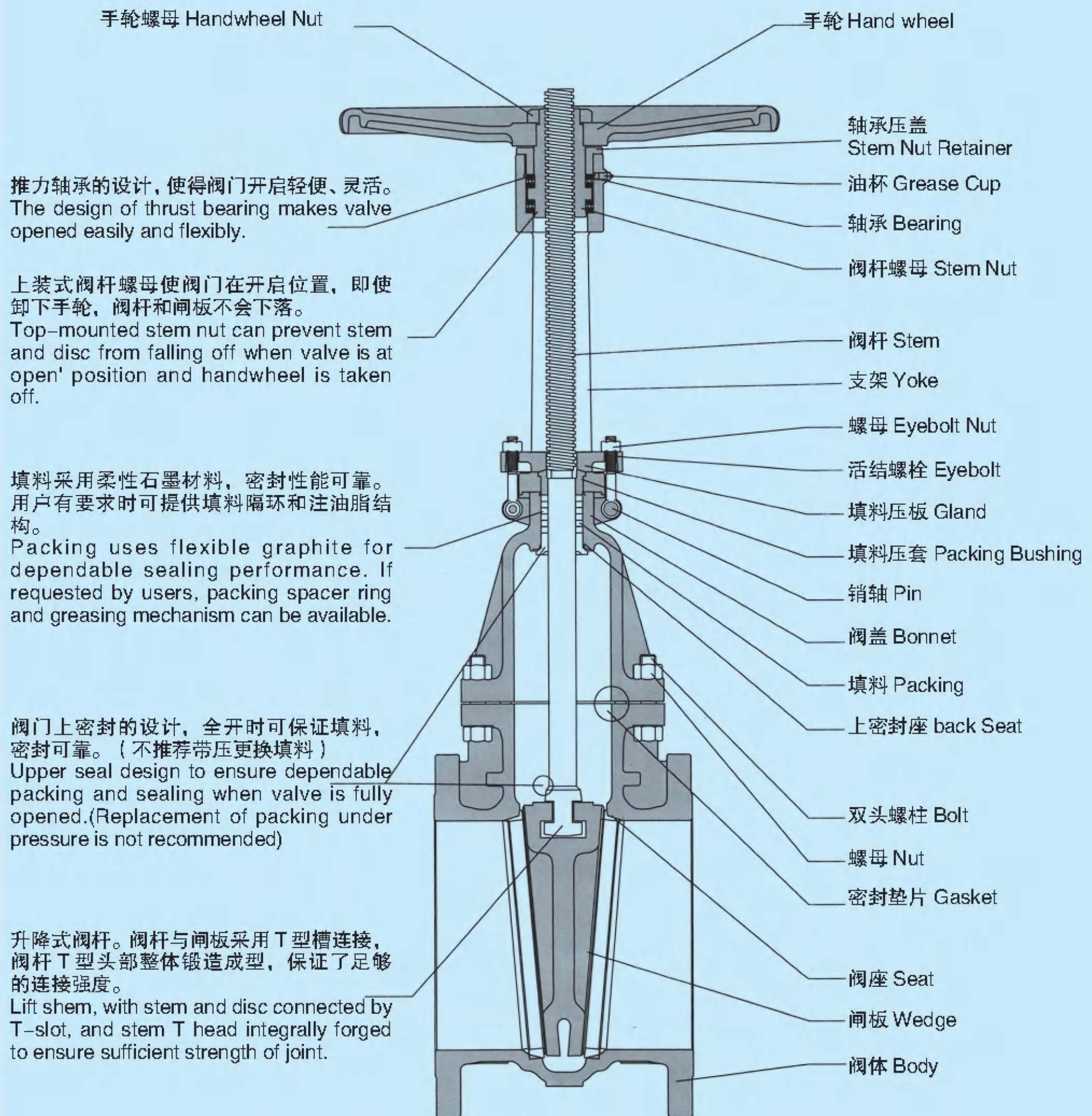


美标闸阀

结构特征 Structure characteristics



美标闸阀

材料明细 (ASTM 标准材料) material details (ASTM standard)

序号 No.	零件名称 Part Name	碳钢系列 Carbon Steel	不锈钢系列 Stainless Steel	合金钢系列 Alloy Steel	低温钢系列 Low Temperature Steel
1	阀体 Body	ASTM A216 GR WCB	ASTM A351 GR CF8	ASTM A217 GR WC6	ASTM A352 GR LCB
2	闸板 Wedge	ASTM A216 GR WCB	ASTM A351 GR CF8	ASTM A217 GR WC6	ASTM A352 GR LCB
3	阀座 Seat	ASTM A105	/	ASTM A182 GR F304	ASTM A182 GR F304
4	密封垫片 Gasket	柔性石墨 +SS304 Soft Graphite+Ss304			
5	六角螺母 Nut	ASTM A194 GR 2H	ASTM A194 GR B8	ASTM A194 GR 4	ASTM A194 GR B8
6	双头螺柱 Stud	ASTM A193 GR B7	ASTM A193 GR 8	ASTM A193 GR B7	ASTM A193 GR 8
7	上密封座 Back Seat	ASTM A182 GR F6a	ASTM A182 GR F304	ASTM A182 GR F304	ASTM A182 GR F304
8	填料 Packing	柔性石墨 Soft Graphite			
9	阀盖 Bonnet	ASTM A216 GR WCB	ASTM A351 GR CF8	ASTM A217 GR WC6	ASTM A352 GR LCB
10	销轴 Pin	ASTM A194 GR 2H	ASTM A276 TYPE 304	ASTM A276 TYPE 410	ASTM A276 TYPE 304
11	填料压套 Packing Bushing	ASTM A182 GR F6a	ASTM A276 TYPE 304	ASTM A182 GR F6a	ASTM A276 TYPE 304
12	填料压板 Gland	ASTM A216 GR WCB	ASTM A182 GR CF8	ASTM A216 GR WCB	ASTM A182 GR LCB
13	活结螺栓 Eyebolt	ASTM A193 GR B7	ASTM A193 GR B8	ASTM A193 GR B7	ASTM A193 GR B8
14	螺母 Eyebolt Nut	ASTM A194 GR 2H	ASTM A193 GR 8	ASTM A193 GR 4	ASTM A193 GR 8
15	支架 Yoke	ASTM A216 GR WCB	ASTM A351 GR CF8	ASTM A216 GR WCB	ASTM A352 GR LCB
16	阀杆 Stem	ASTM A276 GR WCB	ASTM A276 TYPE 304	ASTM A182 GR F22	ASTM A276 TYPE 304
17	阀杆螺母 Stem Nut	ASTM B148 UNS C95600	ASTM B148 UNS C95600	ASTM B148 UNS C95600	ASTM B148 UNS C95600
18	轴承 Bearing	/			
19	油杯 Grease Cup	铜合金 COPPER ALLOY			
20	轴承压盖 Stem Nut Retainer	ASTM A108 GR 1020	ASTM A108 GR F304	ASTM A108 GR 1020	ASTM A108 GR F304
21	手轮 Handwheel	ASTM A197	ASTM A197	ASTM A197	ASTM A197
22	手轮螺母 Handwheel Nut	ASTM A108 GR 1020	ASTM A108 GR F304	ASTM A108 GR 1020	ASTM A108 GR F304

提示 1、壳体材料压力温度等级表见附录

Remark: Pressure and temperature rating of casing material referred to Appendix

2、壳体材料化学成分及力学性能见附录

Chemical compositions and mechanical property of casing material referred to Appendix

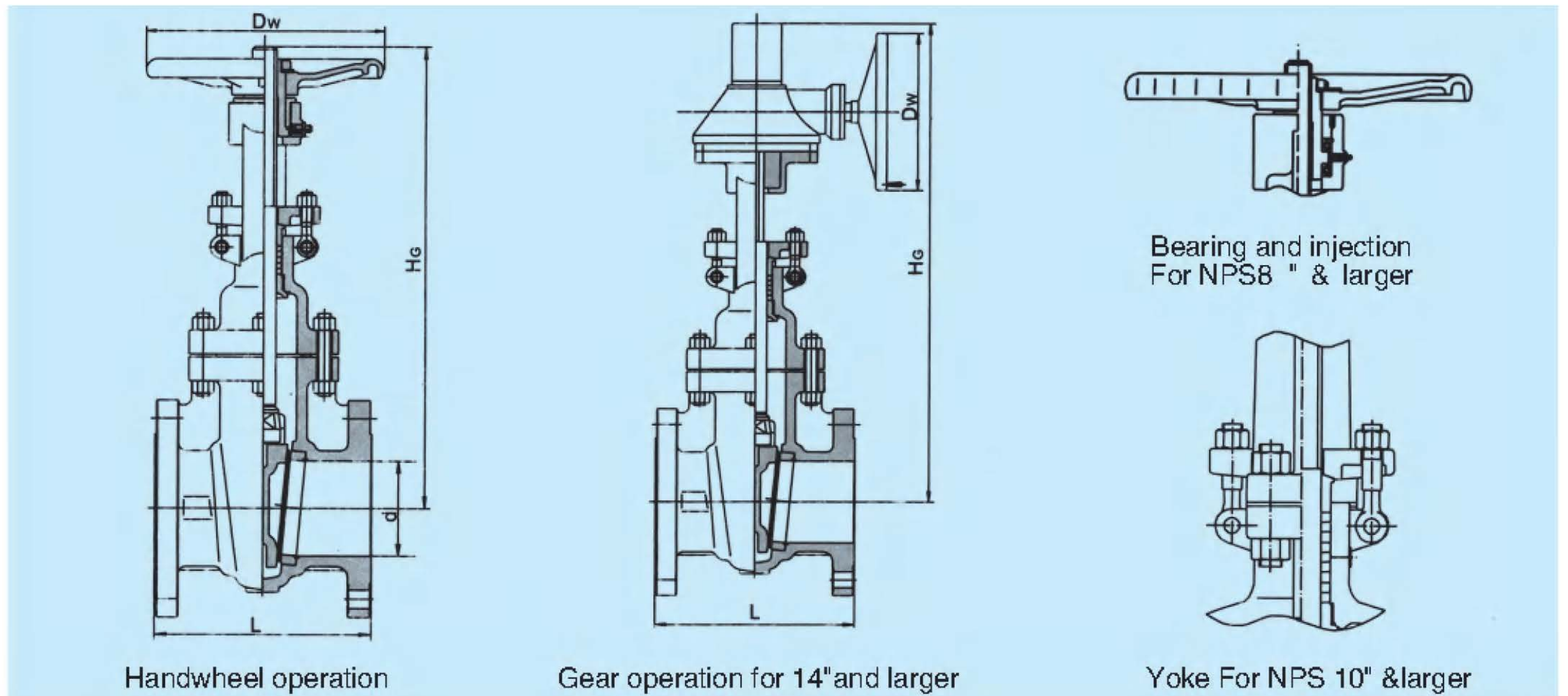
3、内件材料及推荐服务范围见附录

Trim materials and recommended service coverage referred to Appendix

技术性能规范 Technical Specification

设计标准 Design Standard	API 600 API 6D							
压力温度等级 Pressure-Temperature Rating	ASME B16.34							
结构长度 Face-Face	ASME B16.10							
法兰型式尺寸 Flange Ends	ASME B16.5\ ASME B16.47							
对焊端连接 Buttwelding Ends	ASME B16.25							
检验与试验 Inspection & Test	API 598							
公称压力 Norminal Pressure (Class)	150	300	400	600	900	1500	2500	
试验压力 (MPa) Test-Pressure	壳体试验 Shell Test	2.93	7.55	10.0	15.0	22.5	37.5	63.0
	高压密封 High Pressure Seal Test	2.07	5.52	7.31	11.03	16.5	27.5	46.0
	低压密封 Low Pressure Seal Test	0.6						
适用温度 Applicable Temperature	-196℃ -550℃ (不同的工况温度选用不同材质) Different raw material for different work temperature							
适用介质 Applicable Medium	水、油、气及各类腐蚀性介质 (不同的介质选用不同材质) Water, Oil, gas and other causticity medium(Different raw material for different medium)							

美标闸阀



设计标准 Design Standard

- 1、Design and Manufacture Standard 设计制造标准: API600 API6D;
- 2、Material Pressure-Temp Standard 压力-温度基准: ASME B16.34;
- 3、End to End Dimension Standard 结构长度标准: ASME B16.34;
- 4、Flange Ends Dimension Standard 法兰连接端尺寸: ASME B 16.5(NPS24") ASME B 16.47(NPS>24");
- 5、Inspection and Test Standard 检验和试验标准: API 598;

主要尺寸 Main dimension 单位 Unit(mm) Class 150

NPS		L			d	H _w	H _G	D _w	D _G
inch	mm	RF	RTJ	BW					
2 "	50	178	191	216	51	400	-	200	-
2 1/2 "	65	191	203	241	64	435	-	200	-
3 "	80	203	216	283	76	515	-	250	-
4 "	100	229	241	305	102	595	-	280	-
5 "	125	254	267	381	127	725	-	280	-
6 "	150	267	279	403	152	780	820	300	310
8 "	200	292	305	419	203	975	1020	350	310
10 "	250	330	343	457	254	1150	1200	400	310
12 "	300	356	368	502	305	1380	1430	450	310
14 "	350	381	394	572	337	1545	1580	500	310
16 "	400	406	419	610	387	1733	1780	500	460
18 "	450	432	445	660	438	1915	1990	500	460
20 "	500	457	470	711	489	2122	2220	600	460
24 "	600	508	521	813	591	2520	2600	600	460
26 "	650	559	-	864	633	-	2800	-	600
28 "	700	610	-	914	684	-	3050	-	600
30 "	750	610	-	914	735	-	3130	-	600
32 "	800	711	-	965	779	-	3280	-	600
34 "	850	762	-	1016	830	-	3500	-	600
36 "	900	711	-	1016	84	-	3720	-	600

美标闸阀

主要尺寸 Main dimension 单位 Unit(mm) Class300

NPS		L			d	H _w	H _G	D _w	D _G
inch	mm	RF	RTJ	BW					
2 "	50	216	232	216	51	420	-	200	-
2 1/2 "	65	241	257	241	64	446	-	200	-
3 "	80	283	298	283	76	537	-	250	-
4 "	100	305	321	305	102	619	650	280	-
5 "	125	381	387	381	127	722	750	300	-
6 "	150	403	419	403	152	806	835	350	310
8 "	200	419	435	419	203	1000	1030	400	310
10 "	250	457	473	457	254	1240	1280	450	310
12 "	300	502	518	502	305	1425	1460	500	310
14 "	350	762	778	762	337	1585	1620	600	310
16 "	400	838	854	838	387	1790	1830	500	460
18 "	450	914	930	914	438	1960	2000	650	460
20 "	500	991	1010	991	489	2158	2220	750	460
24 "	600	1143	1165	1143	591	2576	2620	900	460
26 "	650	1245	1270	1245	633	-	2850	-	600
28 "	700	1345	1372	1346	684	-	3080	-	600
30 "	750	1397	1422	1397	735	-	3180	-	600
32 "	800	1524	1553	1524	779	-	3300	-	600
34 "	850	1626	1654	1626	830	-	3550	-	600
36 "	900	1727	1756	1727	874	-	3760	-	600

主要尺寸 Main dimension 单位 Unit(mm) Class 600

NPS		L			d	H _w	H _G	D _w	D _G
inch	mm	RF	RTJ	BW					
2 "	50	292	295	292	51	444	-	280	-
2 1/2 "	65	330	333	330	64	500	-	280	-
3 "	80	356	359	356	76	558	585	300	310
4 "	100	432	435	432	102	665	695	350	310
5 "	125	508	511	508	127	750	790	400	310
6 "	150	559	562	559	152	868	900	500	310
8 "	200	660	664	660	203	1073	1110	650	310
10 "	250	787	791	787	254	1263	1300	700	460
12 "	300	838	841	838	305	1600	1650	900	460
14 "	350	889	892	889	337	1705	1750	900	460
16 "	400	991	994	991	387	1835	1900	900	460
18 "	450	1092	1095	1092	438	-	2020	500	600
20 "	500	1194	1200	1194	489	-	2172	600	600
24 "	600	1397	1407	1397	591	-	2650	600	600

美标闸阀

主要尺寸 Main dimension 单位 Unit(mm) Class900

NPS		L			d	H _w	H _G	D _w	D _G
inch	mm	RF	RTJ	BW					
2 "	50	368	371	368	51	500	-	280	-
2 1/2 "	65	419	422	419	64	550	-	280	-
3 "	80	381	384	381	76	610	660	300	310
4 "	100	457	460	457	102	702	750	350	310
5 "	125	559	562	559	127	850	900	400	310
6 "	150	610	613	610	152	980	1060	500	460
8 "	200	737	740	737	203	1100	1140	650	460
10 "	250	838	841	838	254	1320	1370	700	460
12 "	300	965	968	965	305	1500	1560	900	460
14 "	350	1029	1038	1029	322	1900	1950	900	600
16 "	400	1130	1140	1130	373	2050	2100	900	600

主要尺寸 Main dimension 单位 Unit(mm) Class1500

NPS		L			d	H _w	H _G	D _w	D _G
inch	mm	RF	RTJ	BW					
2 "	50	368	371	368	51	510	-	280	-
2 1/2 "	65	419	422	419	64	560	-	300	-
3 "	80	470	473	470	76	620	670	350	310
4 "	100	546	549	546	102	728	770	400	310
5 "	125	673	676	673	127	870	920	450	310
6 "	150	705	711	705	144	1000	1070	500	460
8 "	200	832	841	832	192	1130	1180	750	460
10 "	250	991	1000	991	239	1360	1410	900	600
12 "	300	1130	1146	1130	287	-	1620	-	600
14 "	350	1257	1276	1257	315	-	2020	-	600
16 "	400	1384	1407	1384	360	-	2180	-	600

主要尺寸 Main dimension 单位 Unit(mm) Class2500

NPS		L			d	H _w	H _G	D _w	D _G
inch	mm	RF	RTJ	BW					
2 "	50	451	454	451	42	530	580	280	310
2 1/2 "	65	508	514	508	52	580	630	300	310
3 "	80	578	584	578	62	650	700	350	310
4 "	100	673	683	673	87	750	800	400	310
5 "	125	794	807	794	96	900	960	500	460
6 "	150	914	927	914	131	1040	1100	600	460
8 "	200	1022	1038	1022	179	1150	1200	750	460
10 "	250	1270	1292	1270	223	1400	1460	900	600
12 "	300	1422	1445	1422	265	-	1660	-	600